

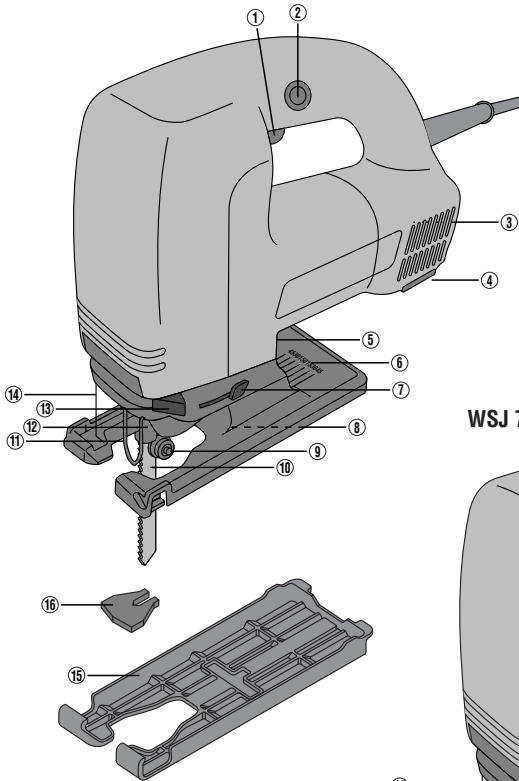
HILTI

WSJ 750 WSJ 850

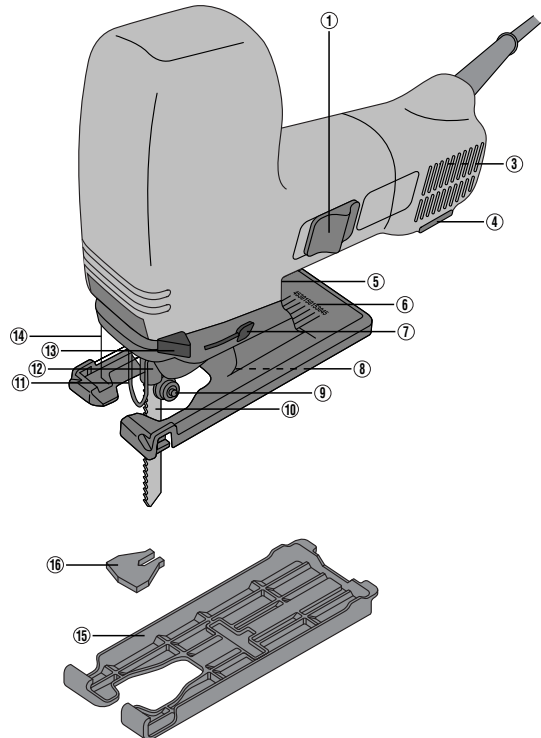
Bedienungsanleitung	de
Operating instructions	en
Mode d'emploi	fr
Istruzioni d'uso	it
Gebruiksaanwijzing	nl
Manual de instruções	pt
Manual de instrucciones	es
Brugsanvisning	da
Käyttöohje	fi
Bruksanvisning	sv
Οδηγίες χρήσεως	el
Kasutusjuhend	et
Lietošanas pamācība	lv
Instrukcija	lt
دليل الاستعمال	ar

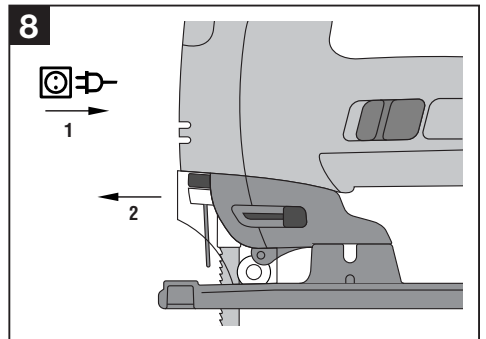
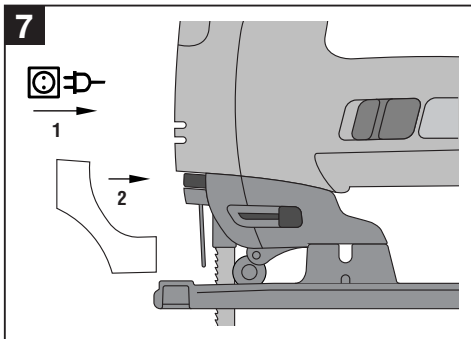
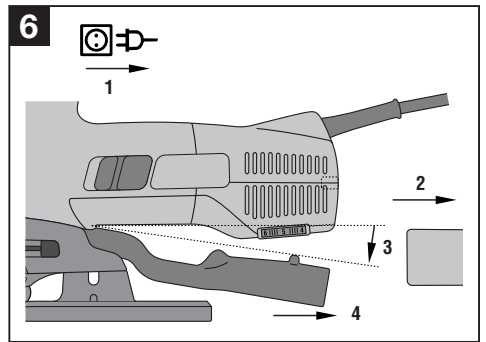
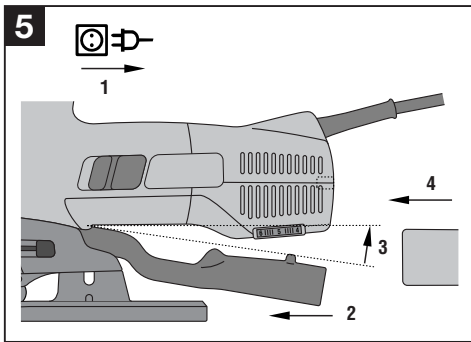
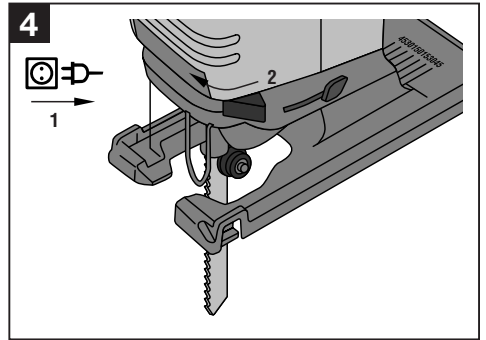
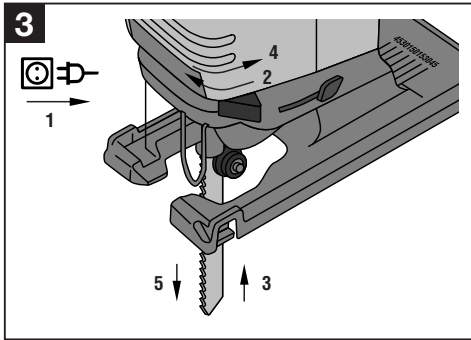
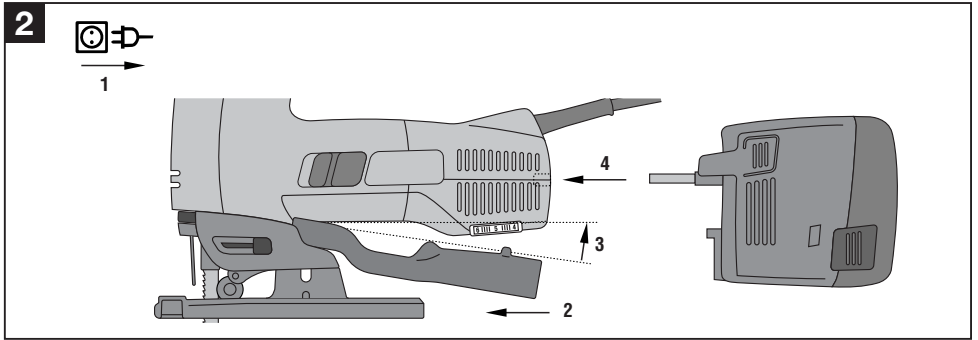


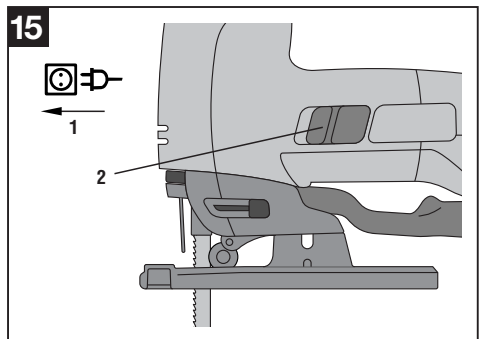
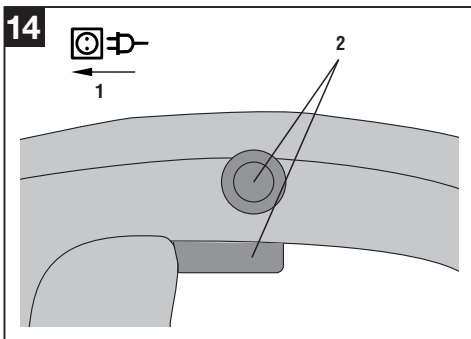
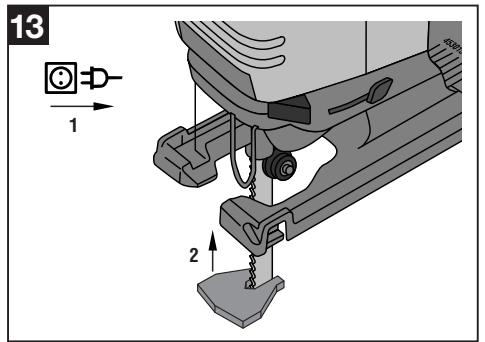
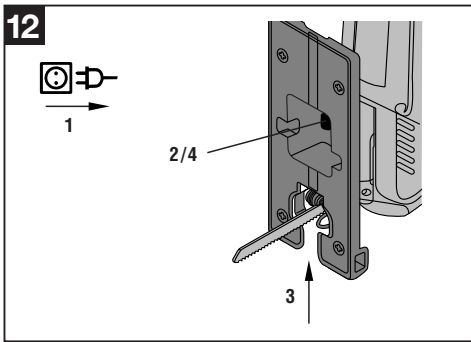
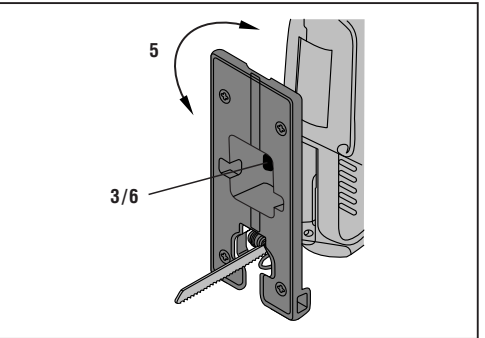
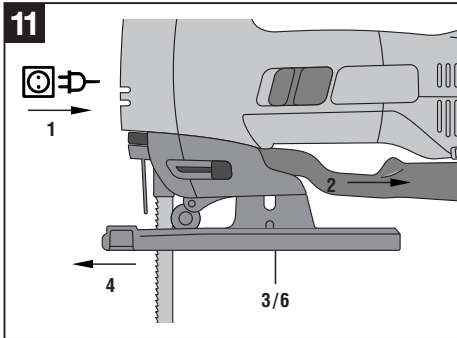
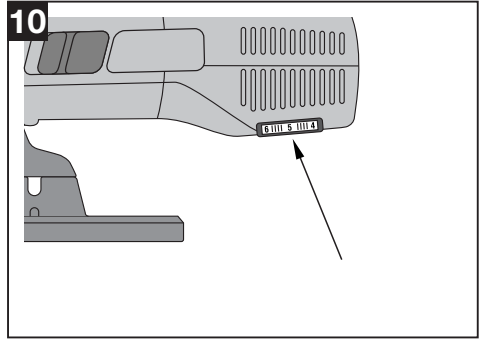
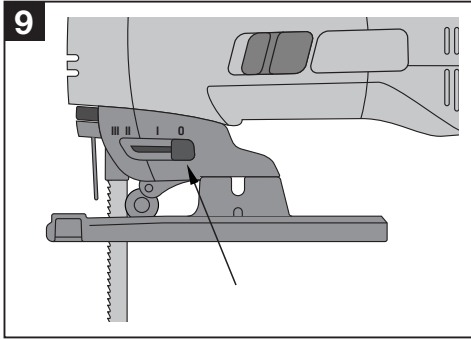
WSJ 750-ET / WSJ 850-ET



WSJ 750-EB / WSJ 850-EB



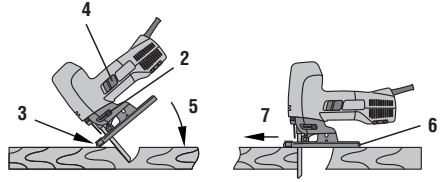
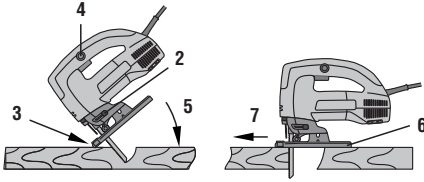




16



1



ORIGINAL OPERATING INSTRUCTIONS

WSJ 750-ET / WSJ 750-EB / WSJ 850-ET / WSJ 850-EB orbital action jig saw and WSJ-DRS dust removal system

It is essential that the operating instructions are read before the tool is operated for the first time.

Always keep these operating instructions together with the tool.

Ensure that the operating instructions are with the tool when it is given to other persons.

Operating controls and parts **1**

- ① On / off switch
- ② Lockbutton (only WSJ 750-ET and WSJ 850-ET)
- ③ Ventilation slots
- ④ Stroke rate adjustment thumbwheel
- ⑤ Dust removal system connector
- ⑥ Baseplate
- ⑦ Orbital action adjustment lever
- ⑧ Baseplate locking screw
- ⑨ Guide roller
- ⑩ Saw blade (insert tools)
- ⑪ Guard
- ⑫ Blade holder
- ⑬ Saw blade release lever
- ⑭ Dust removal hood
- ⑮ Low-friction baseplate cover
- ⑯ Anti-splinter insert

Contents	Page
1. General information	13
2. Description	14
3. Tools and accessories	14
4. Technical data	15
5. Safety rules	16
6. Before use	18
7. Operation	20
8. Care and maintenance	21
9. Troubleshooting	22
10. Disposal	23
11. Manufacturer's warranty – tools	23
12. EC declaration of conformity (original)	23

1. General information

1.1 Signal words and their meaning

-CAUTION-

Used to draw attention to a potentially dangerous situation which could lead to minor personal injury or damage to the equipment or other property.

-NOTE-

Used to draw attention to an instruction or other useful information.

1.2 Pictograms

Warning signs



General warning



Warning: electricity



Warning: hot surface

Obligation signs



Wear eye protection



Wear ear protection



Wear protective gloves



Wear breathing protection

Symbols



Read the operating instructions before use



Return waste material for recycling

1 These numbers refer to the corresponding illustrations. The illustrations can be found on the fold-out cover pages. Keep these pages open while studying the operating instructions.

In these operating instructions, the WSJ 750-ET / WSJ 750-EB / WSJ 850-ET / WSJ 850-EB orbital action jig saw is referred to as “the tool”.

Location of identification data on the tool

The type designation and serial number can be found on the rating plate on the tool. Make a note of this data in your operating instructions and always refer to it when making an enquiry to your Hilti representative or service department.

Type: _____

Serial no.: _____

en

2. Description

The tool is an electrically-powered orbital action jig saw for cutting wood, plastic, metal, plasterboard (drywall panel) and fiberboard. It is designed for professional use.

2.1 Correct use

The working environment may be a construction site, workshop, occupied living accommodation or other work-space and the work carried out may include construction, renovation or conversion.

- Use of the tool for cutting materials containing asbestos is not permissible.
- Do not use the tool for cutting tree branches or logs.
- Modification of the tool is not permissible.
- The tool is intended for professional use.
- The tool may be operated, serviced and repaired only by authorized, trained personnel. This personnel

must be informed of any special hazards that may be encountered.

- The tool and its ancillary equipment may present hazards when used incorrectly by untrained personnel or when used not as directed.
- The tool may be powered only by an electric supply providing a voltage and frequency in compliance with the specification given on its rating plate.

The items supplied include:

- Electric tool incl. saw blade
- Operating instructions,
- Packaging
- Accessories (dust removal module, anti-splinter insert, dust removal adaptor, low-friction baseplate cover, hex. socket wrench, dust removal hood)

3. Tools and accessories

Saw blade	W-CS
Dust removal module	WSJ-DRS
Anti-splinter insert	W-ASJ SS
Dust removal adaptor	W-ASJ AS
Low-friction baseplate cover	W-ASJ GL
Hex. socket wrench	5-W-A SW5
Dust removal hood	W-ASJ AH
Filter	W-ASJ FD

3.1 WSJ-DRS dust removal module

3.1.1 General information

Location of identification data on the tool

The type designation and serial number can be found on the rating plate on the tool. Make a note of this data in your operating instructions and always refer to it when making an enquiry to your Hilti representative or service department.

Type: WSJ-DRS

Serial no.: _____

3.1.2 Safety

Use as directed

The WSJ-DRS may be used only in conjunction with the WSJ 850-ET and WSJ 850-EB.

Use of the WSJ DRS for materials containing asbestos or for metal, glass and carbon fiber dust is not permissible.

Use of the WSJ-DRS for damp or explosive dust is not permissible.

3.1.3 General safety precautions

- When changing the filter, hold the tool and/or the WSJ-DRS so that the filter drawer can be pulled out vertically downwards. This prevents dust escaping.
- We recommend that breathing protection is worn when changing the filter.

3.1.4 Technical data

WSJ-DRS dust removal module for the WSJ 850-ET and WSJ 850-EB

Weight	250 g
Dimensions (LxWxH)	150x60x100 mm

3.1.5 Before use

-NOTE-

The dust removal hood must be fitted in front of the saw blade when the dust removal module is in use (see 6.5).

Attaching the dust removal module **2**

1. Unplug the supply cord from the electric socket.
2. Fit the dust removal adaptor into the opening on the tool.
3. Push the dust removal adaptor toward the tool from below until it engages.

- Push the dust removal module onto the tool and the dust removal adaptor until it is heard to engage.

Detaching the dust removal module

- Unplug the supply cord from the electric socket.
- Press the two buttons on the dust removal module (one on each side) and hold them in this position.
- Pull the dust removal module away from the tool and the dust removal adaptor toward the rear.
- Release the dust removal adaptor from the tool by pushing it downwards.
- Push the dust removal adaptor downwards and pull it out of the tool.

Emptying the dust container

	-CAUTION-
	<ul style="list-style-type: none"> Dust may be released into the air when emptying the dust removal module. Dust may be harmful to the respiratory system. Wear breathing protection.

-NOTE-

Hold the dust removal module so that the dust removal adaptor faces upwards.

- Unplug the supply cord from the electric socket.
- Press the two buttons on the dust removal module (one on each side) simultaneously.
- Pull the dust container downwards away from the tool.
- Empty the dust out of the container by tapping it lightly or, alternatively, use a vacuum cleaner to clean out the container (wear breathing protection).


3.1.6 Care and maintenance

We recommend use of compressed air and a cloth for cleaning the dust removal module. Do not use water, oil, grease or cleaning agents.

3.1.7 Changing and cleaning the filter

Change the filter if it becomes defective or if so badly soiled that cleaning is no longer possible. Disassemble it to facilitate thorough cleaning. Especially after cutting plaster or plasterboard (drywall panel), the filter should be cleaned thoroughly to ensure no loss of suction power by the dust removal system. Clean the filter carefully, using compressed air or a vacuum cleaner.

4. Technical data

Tool	WSJ 750-ET		WSJ 750-EB		WSJ 850-ET		WSJ 850-EB	
Nominal power rating	750 W		750 W		850 W		850 W	
Mains frequency	50 / 60 Hz		50 / 60 Hz		50 / 60 Hz		50 / 60 Hz	
Nominal voltage	110 V	230 V	110 V	230 V	110 V	230 V	110 V	230 V
Mains current	7.5 A	3.8 A	7.5 A	3.8 A	8.0 A	4.1 A	8.0 A	4.1 A
Weight in accordance with EPTA procedure 01/2003	2.8 kg		2.6 kg		2.7 kg		2.6 kg	
Dimensions (LxWxH)	256x75x201 mm		256x75x194 mm		256x75x201 mm		256x75x194 mm	
Stroke rate	900–3000 1/min.		900–3000 1/min.		900–3000 1/min.		900–3000 1/min.	
Stroke	28 mm		28 mm		28 mm		28 mm	
Max. cutting depth in wood	up to 120 mm		up to 120 mm		up to 150 mm		up to 150 mm	
Max. cutting depth in aluminium	up to 25 mm		up to 25 mm		up to 25 mm		up to 25 mm	
Max. cutting depth in mild steel	up to 10 mm		up to 10 mm		up to 10 mm		up to 10 mm	
Angular cutting (left / right)	0–45°		0–45°		0–45°		0–45°	
Number of orbital action settings	0-1-2-3		0-1-2-3		0-1-2-3		0-1-2-3	
Blade connection end	T-shank		T-shank		T-shank		T-shank	
Dust removal adapter exterior dia.			30 mm for hose adapter					
Double insulated (in accordance with EN 60745)							protection class II (double insulated) 	
Vibration-absorbing grip								

-NOTE-

The vibration emission level given in this information sheet has been measured in accordance with a standardised test given in EN 60745 and may be used to compare one tool with another. It may be used for a preliminary assessment of exposure. The declared vibration emission level represents the main applications of the tool. However if the tool is used for different applications, with different accessories or poorly maintained, the vibration emission may differ. This may significantly increase the exposure level over the total working period. An estimation of the level of exposure to vibration should also take into account the times when the tool is switched off or when it is running but not actually doing the job. This may significantly reduce the exposure level over the total working period.

od. Identify additional safety measures to protect the operator from the effects of vibration such as: maintain the tool and the accessories, keep the hands warm, organisation of work patterns.

Noise and vibration information (measured in accordance with EN 60745)

Typical A-weighted sound power level (L_{wA}): 99 dB (A) WSJ-EB / 98 dB (A) WSJ-ET
 Typical A-weighted sound pressure level (L_{pA}): 88 dB (A) WSJ-EB / 87 dB (A) WSJ-ET
 For the given sound power level as per EN 60745, the tolerance is 3 dB.

Wear ear protection!

Triaxial vibration values (vibration vector sum) Measured in accordance with EN 60745-2-11	WSJ 750-EB	WSJ 750-ET	WSJ 850-EB	WSJ 850-ET
Sawing wood sheets (with sawblade Hilti W 91/P HCS), $a_{h, B}$	13.0 m/s ²	10.5 m/s ²	11.0 m/s ²	9.0 m/s ²
Uncertainty (K) when sawing wood sheets	1.5 m/s ²	1.8 m/s ²	1.5 m/s ²	1.5 m/s ²
Sawing sheet metal (with sawblade Hilti M 50/2 BIM), $a_{h, M}$	5.0 m/s ²	4.0 m/s ²	5.0 m/s ²	4.0 m/s ²
Uncertainty (K) when sawing sheet metal	1.5 m/s ²	1.5 m/s ²	1.5 m/s ²	1.5 m/s ²


Right of technical changes reserved!

5. Safety instructions

NOTE

The safety rules in section 5.1 contain all general safety rules for power tools which, in accordance with the applicable standards, require to be listed in the operating instructions. Accordingly, some of the rules listed may not be relevant to this tool.

5.1 General Power Tool Safety Warnings

- a)  **WARNING! Read all safety warnings and all instructions.** Failure to follow the warnings and instructions may result in electric shock, fire and/or serious injury. **Save all warnings and instructions for future reference.** The term "power tool" in the warnings refers to your mains-operated (corded) power tool or battery-operated (cordless) power tool.

5.1.1 Work area safety

- a) **Keep work area clean and well lit.** Cluttered or dark areas invite accidents.
 b) **Do not operate power tools in explosive atmospheres, such as in the presence of flammable liquids, gases or dust.** Power tools create sparks which may ignite the dust or fumes.
 c) **Keep children and bystanders away while operating a power tool.** Distractions can cause you to lose control.

5.1.2 Electrical safety

- a) **Power tool plugs must match the outlet. Never modify the plug in any way. Do not use any adapter plugs with earthed (grounded) power tools.** Unmodified plugs and matching outlets will reduce risk of electric shock.
 b) **Avoid body contact with earthed or grounded surfaces, such as pipes, radiators, ranges and refrigerators.** There is an increased risk of electric shock if your body is earthed or grounded.
 c) **Do not expose power tools to rain or wet conditions.** Water entering a power tool will increase the risk of electric shock.
 d) **Do not abuse the cord. Never use the cord for carrying, pulling or unplugging the power tool. Keep cord away from**

heat, oil, sharp edges or moving parts. Damaged or entangled cords increase the risk of electric shock.

- e) **When operating a power tool outdoors, use an extension cord suitable for outdoor use.** Use of a cord suitable for outdoor use reduces the risk of electric shock.
 f) **If operating a power tool in a damp location is unavoidable, use a residual current device (RCD) protected supply.** Use of an RCD reduces the risk of electric shock.

5.1.3 Personal safety

- a) **Stay alert, watch what you are doing and use common sense when operating a power tool. Do not use a power tool while you are tired or under the influence of drugs, alcohol or medication.** A moment of inattention while operating power tools may result in serious personal injury.
 b) **Use personal protective equipment. Always wear eye protection.** Protective equipment such as dust mask, non-skid safety shoes, hard hat, or hearing protection used for appropriate conditions will reduce personal injuries.
 c) **Prevent unintentional starting. Ensure the switch is in the off-position before connecting to power source and/or battery pack, picking up or carrying the tool.** Carrying power tools with your finger on the switch or energising power tools that have the switch on invites accidents.
 d) **Remove any adjusting key or wrench before turning the power tool on.** A wrench or a key left attached to a rotating part of the power tool may result in personal injury.
 e) **Do not overreach. Keep proper footing and balance at all times.** This enables better control of the power tool in unexpected situations.
 f) **Dress properly. Do not wear loose clothing or jewellery. Keep your hair, clothing and gloves away from moving parts.** Loose clothes, jewellery or long hair can be caught in moving parts.
 g) **If devices are provided for the connection of dust extraction and collection facilities, ensure these are connected**

and properly used. Use of dust collection can reduce dust-related hazards.

5.1.4 Power tool use and care

- a) **Do not force the power tool. Use the correct power tool for your application.** The correct power tool will do the job better and safer at the rate for which it was designed.
- b) **Do not use the power tool if the switch does not turn it on and off.** Any power tool that cannot be controlled with the switch is dangerous and must be repaired.
- c) **Disconnect the plug from the power source and/or the battery pack from the power tool before making any adjustments, changing accessories, or storing power tools.** Such preventive safety measures reduce the risk of starting the power tool accidentally.
- d) **Store idle power tools out of the reach of children and do not allow persons unfamiliar with the power tool or these instructions to operate the power tool.** Power tools are dangerous in the hands of untrained users.
- e) **Maintain power tools. Check for misalignment or binding of moving parts, breakage of parts and any other condition that may affect the power tool's operation. If damaged, have the power tool repaired before use.** Many accidents are caused by poorly maintained power tools.
- f) **Keep cutting tools sharp and clean.** Properly maintained cutting tools with sharp cutting edges are less likely to bind and are easier to control.
- g) **Use the power tool, accessories and tool bits etc. in accordance with these instructions, taking into account the working conditions and the work to be performed.** Use of the power tool for operations different from those intended could result in a hazardous situation.

5.1.5 Service

- a) **Have your power tool serviced by a qualified repair person using only identical replacement parts.** This will ensure that the safety of the power tool is maintained.

5.2 Additional safety precautions

5.2.1 Personal safety

- a) **Hold power tool by insulated gripping surfaces, when performing an operation where the cutting accessory may contact hidden wiring or its own cord.** Cutting accessory contacting a "live" wire may make exposed metal parts of the power tool "live" and could give the operator an electric shock.
- b) **Wear ear protectors.** Exposure to noise can cause hearing loss.
- c) **Use auxiliary handle(s), if supplied with the tool.** Loss of control can cause personal injury.
- d) **Wear respiratory protection when the work causes dust.**
- e) **Exercise your fingers during pauses between work to improve the blood circulation in your fingers.**
- f) **Switch the tool on only once it has been brought into the working position close to the workpiece.**
- g) **To avoid tripping and falling when working, always**

lead the supply cord, extension cord and dust extraction hose away from the rear.

- h) **The insert tool may become hot during use.** *There is a risk of burning the hands. Wear protective gloves when changing insert tools.*
- i) **Always hold the tool securely, with both hands on the grips provided.**
- j) **Operate the tool only as directed and only when it is in faultless condition.**
- k) **Connect the tool to an external dust removal system if the material to be cut produces dust hazardous to health.**
- l) *Dust from material such as paint containing lead, some wood species, minerals and metal may be harmful. Contact with or inhalation of the dust may cause allergic reactions and/or respiratory diseases to the operator or bystanders. Certain kinds of dust are classified as carcinogenic such as oak and beech dust especially in conjunction with additives for wood conditioning (chromate, wood preservative). Material containing asbestos must only be treated by specialists. Where the use of a dust extraction device is possible it shall be used. To achieve a high level of dust collection, use a suitable vacuum cleaner of the type recommended by Hilti for wood dust and/or mineral dust together with this tool. Ensure that the workplace is well ventilated. The use of a dust mask of filter class P2 is recommended. Follow national requirements for the materials you want to work with.*
- m) **The tool is not intended for use by children, by debilitated persons or those who have received no instruction or training.**
- n) **Children must be instructed not to play with the tool.**

5.2.2 Work area

- a) **Ensure that the workplace is well lit.**
- b) **Ensure that the workplace is well ventilated.** *Poorly ventilated workplaces may be injurious to the health due to exposure to dust.*

5.2.3 Electrical safety

- a) **Before beginning work, check the working area (e.g. with a metal detector) to ensure that no concealed electric cables or gas and water pipes are present.** *External metal parts of the tool may become live if, for example, an electric cable is damaged inadvertently. This presents a serious risk of electric shock.*
- b) **Check the condition of the supply cord and its plug connections and have it replaced by a qualified electrician if damage is found. Check the condition of the extension cord and replace it if damage is found. Do not touch the supply in the event of it suffering damage while working. Disconnect the supply cord plug from the socket. Damaged supply cords and extension cords present a risk of electric shock.**
- c) **Dirty or dusty electric tools should thus be checked at a Hilti service center at regular intervals, especially if used frequently for working on conductive**

materials. Dust (especially dust from conductive materials) or dampness adhering to the surface of the tool may, under unfavorable conditions, present a risk of electric shock.

- d) When working outdoors with an electric tool it must be ensured that the tool is connected to the electric supply by way of a ground fault circuit breaker (RCD) with a maximum rating of 30 mA (max. 30 mA tripping current). Use of a ground fault circuit breaker reduces the risk of electric shock.
- e) It is recommended that a ground fault circuit breaker (RCD) with a maximum rating of 30 mA (max. 30 mA tripping current) is always used.

5.2.4 Power tool use and care

- a) Secure the workpiece. Use clamps or a vice to hold the workpiece in place. The workpiece is thus held more securely than by hand and both hands remain free to operate the tool.
- b) Ensure that the insert tools used are equipped with the appropriate connection end system and that they are properly fitted and secured in the chuck.
- c) In the event of a power failure, switch the tool off and unplug the supply cord. This prevents inadvertent starting when the power returns.
- d) Avoid using extension cords with multiple sockets and the simultaneous use of several electric tools connected to one extension cord.

5.2.5 Special safety precautions for reciprocating saws

- a) When cutting, always guide the tool away from the body.
- b) Never place your hands in front of or on the saw blade.
- c) Do not cut unknown base materials. The blade may cause the tool to kick back if it strikes a hidden object.
- d) Switch the tool off before transporting it.

- e) The cutting produced when sawing, especially metal cuttings, may be hot. Wear suitable protective clothing.
- f) The safety guard for the saw blade must always be fitted in order to prevent inadvertent contact with the saw blade or the moving parts above the saw blade.
- g) Before beginning work, find out the hazard class of the dust produced by the work. Use only an industrial vacuum cleaner with an officially approved protection classification in compliance with your local dust control regulations for work with the tool.
- h) The dust removal hood should not be disassembled.
- i) The blade breaking through the material being cut presents a risk of injury. Take the appropriate safety measures to secure the rear of the workpiece.
- j) Keep the hands away from the area beneath the workpiece while sawing.

5.2.6 Personal protective equipment

The user and any other persons in the vicinity must wear suitable eye protection, ear protection and protective gloves. They must also wear respiratory protection if no dust removal system is used



Wear eye protection



Wear ear protection



Wear protective gloves



Wear breathing protection

5.2.7 Protective devices

Never operate the tool without the applicable protective devices (dust hood).

6. Before use



-NOTE-

The electric supply voltage must comply with the information on the type plate.

-CAUTION-



- The cutting edges of the saw blade are sharp.
- The cutting edges may present a risk of injury.
- Wear protective gloves.

6.1 Extension cords

If extension cords are used: Use only extension cords of a type approved for the intended purpose and of adequate cross section. Failure to observe this point may result in reduced performance and may cause the cord to overheat. Replace damaged extension cords. Use only correspondingly marked and approved extension cords for working outdoors. Recommended minimum cross sections and max. cord lengths:

Mains voltage	Conductor cross section	
	1.5 mm ²	2.5 mm ²
110 V	20 m	30 m
230 V	50 m	100 m

Extension cords for outdoor use

For outdoor work use only extension cords approved and correspondingly marked as suitable for outdoor use.

6.2 Fitting the saw blade 3

1. Unplug the supply cord from the electric socket.
2. Press the saw blade release lever and hold it in this position.
3. Push the saw blade into the blade holder (teeth facing cutting direction) until it engages.
4. Hold the blade against the resistance felt and then allow the blade release lever to return to its original position.
5. Check that the blade is held securely by gripping and pulling it.

6.3 Changing the saw blade 4

-NOTE-

When changing the saw blade, hold the tool in such a way that persons or animals cannot be injured by the saw blade as it is ejected.

1. Unplug the supply cord from the electric socket.
2. Press the saw blade release lever to the side as far as it will go. The saw blade is then released and ejected.

6.4 Dust removal using a dust removal system

-NOTE-

Use of a dust removal system reduces exposure to dust, increases safety at the workplace by ensuring better visibility of the cutting line and helps to keep the workplace tidy by greatly reducing the amount of dust and wood chips in the working area.

Connect the dust removal system before working with the tool for long periods when cutting wood or other materials that may cause considerable dust.

The dust removal hood must be fitted when the tool is being used with a dust removal system.

6.4.1 Connecting the system 5

1. Unplug the supply cord from the electric socket.
2. Fit the dust removal adaptor into the opening on the tool.
3. Push the dust removal adaptor toward the tool from below until it engages.
4. Connect the vacuum cleaner hose to the dust removal adaptor.

6.4.2 Disconnecting the system 6

1. Unplug the supply cord from the electric socket.
2. Disconnect the vacuum cleaner hose from the dust removal adaptor.
3. Push the dust removal adaptor downwards and pull it out of the tool.

6.4.3 Procedure if the extraction adapter is blocked

1. Disconnect the supply cord plug from the power outlet.
2. Clean out the extraction adapter.
3. Check for misalignment or binding of moving parts, breakage of parts and any other condition that may affect the power tool's operation.

6.5 Dust removal hood

6.5.1 Fitting the dust removal hood 7

1. Unplug the supply cord from the electric socket.

2. Push the dust removal hood onto the tool from the front until it engages.

6.5.2 Removing the dust removal hood 8

1. Unplug the supply cord from the electric socket.
2. Tilt the dust removal hood slightly and pull it away from the tool toward the front.

6.6 Sawdust blower

The blower keeps the cutting line free of dust and chips by directing a jet of air toward the saw blade.

6.7 Adjusting the orbital action 9

The four orbital action settings permit cutting performance and quality of cut to be adjusted to suit the material being cut.

Orbital action adjustment lever is used to set the tool to one of the four orbital action settings.

Please observe the following recommendations:

The lower the orbital action setting, the finer and cleaner the cut.

The optimum setting can be determined by making test cuts.

Setting 0: No orbital action

Setting I: Low orbital action

Setting II: Medium orbital action

Setting III: High orbital action

Please refer to the information provided with the saw blade for details of correct settings.

6.8 Adjusting the stroke rate 10

1. Set the stroke rate adjustment thumbwheel to a position between 1 (slow) and 6 (fast).

Please refer to the information provided with the saw blade for details of correct settings.

6.9 Adjusting the cutting angle

6.9.1 Setting the cutting angle 11

1. Unplug the supply cord from the electric socket.
2. Remove the dust removal system adaptor.
3. Release the screw.
4. Pull the baseplate slightly toward the front of the tool.
5. Set the baseplate to the desired angle according to the scale on the tool.
6. Tighten the screw.

6.9.2 Resetting the cutting angle

1. Unplug the supply cord from the electric socket.
2. Release the screw.
3. Return the baseplate to the 0° position.
4. Push the baseplate back to its original position (toward the rear of the tool).
5. Tighten the screw.

6.10 Offsetting the baseplate 12

To facilitate sawing close to edges, the baseplate can be repositioned as follows:

1. Unplug the supply cord from the electric socket.
2. Release the screw.
3. Push the baseplate back as far as it will go.
4. Tighten the screw.

6.11 Anti-splinter insert

-NOTE-

The anti-splinter insert cannot be used with certain types of saw blades (e.g. offset blades). Use of the anti-splinter insert helps prevent splintering of the surface when sawing wood materials.

1. Unplug the supply cord from the electric socket.
2. Press the anti-splinter insert into the baseplate from below.

6.12 Low-friction baseplate cover


-NOTE-



Use the low-friction baseplate cover to avoid scratching sensitive materials.


1. Unplug the supply cord from the electric socket.
2. Hook the cover onto the front edge of the baseplate.
3. Press the cover against the baseplate until it snaps into place.

7. Operation



	-CAUTION-
	<ul style="list-style-type: none"> ● The cutting edges of the saw blade are sharp. ● The cutting edges may present a risk of injury. ● Wear protective gloves.

	-CAUTION-
	<ul style="list-style-type: none"> ● The sawing operation swirls up dust and wood chips into the air. ● The dust and wood chips may be harmful to the eyes and respiratory system. ● Wear protective goggles and breathing protection.

	-CAUTION-
	<ul style="list-style-type: none"> ● Operation of the tool creates noise. ● Excessive noise may damage the hearing. ● Wear ear protection.

7.1 System





-NOTE-

- To achieve good cutting performance and ease the load on the tool, always use blades that are in good condition.
- Do not overload the tool.

-CAUTION-

- When working with the tool, always guide it away from the body.
- Lift the tool away from the workpiece only after the blade has come to a standstill.
- Lay the tool down only after the blade has come to a standstill.

	-CAUTION-
	<ul style="list-style-type: none"> ● The saw blade becomes hot during long periods of use. ● There is a risk of burning if the blade is touched. ● Wear protective gloves.

7.2 Switching on / off

7.2.1 On / off switch (WSJ 750-ET / WSJ 850-ET)

1. Plug the supply cord into the electric socket.
2. Switch the tool on by pressing the on / off switch.
 - Switching on: Press the on / off switch.
 - Switching off: Release the on / off switch.
 - Sustained operation: Press the on / off switch and then press the switch lockbutton.
 - Switching off: Press the on / off switch again and then release it.

7.2.2 On / off switch (WSJ 750-EB / WSJ 850-EB)

1. Plug the supply cord into the electric socket.
2. Switch the tool on / off by way of the sliding switch.

7.3 Plunge sawing

-NOTE-

Use the plunge sawing method only for soft materials. Only short blades should be used.

1. Plug the supply cord into the electric socket.
2. Set the orbital action regulation lever to the 0 position.
3. Bring the front edge of the baseplate into contact with the workpiece.

4. Hold the tool securely and press the on / off switch.
5. Press the tool firmly against the workpiece and begin the plunge movement by reducing the angle between the baseplate and the workpiece.
6. Once the blade has penetrated the workpiece, bring the tool into the normal working position (with the entire baseplate surface in contact with the workpiece).
7. Continue sawing along the cutting line.

8. Care and maintenance

Unplug the supply cord from the electric socket.

8.1 Care of blades

- Used saw blades should be cleaned to remove resin deposits at regular intervals as clean blades achieve a higher cutting performance. Resin deposits can be removed by placing the saw blades in a bath of paraffin (kerosene) or commercially available resin remover for 24 hours.

8.2 Care of the tool

- The tool was lubricated adequately when it was manufactured. After long periods of heavy use it is recommended that the tool is inspected and serviced at a Hilti workshop. This will increase the life expectancy of the tool and avoid unnecessary repair costs.
- Repairs to the electrical section of the tool may be carried out only by a trained electrical specialist.

-CAUTION-

Keep the power tool, especially its grip surfaces, clean and free from oil and grease. Do not use cleaning agents which contain silicone.

The outer casing of the tool is made from impactresistant plastic. Sections of the grip are made from a synthetic rubber material. Never operate the tool when the ventilation slots are blocked. Clean the ventilation slots carefully using a dry brush. Do not permit foreign objects to enter the interior of the tool. Clean the outside of the tool at regular intervals with a slightly damp cloth. Do not use a spray, steam pressure cleaning equipment or running water for cleaning. This may negatively affect the electrical safety of the tool.

8.3 Maintenance

Check all external parts of the tool for damage at regular intervals and check that all controls operate faultlessly. Do not operate the tool if parts are damaged or when the controls do not function faultlessly. If necessary, your electric tool should be repaired at a Hilti repair center. Repairs to the electrical section of the tool may be carried out only by trained electrical specialists.

8.4 Checks after care and maintenance

After care and maintenance, check that all protective devices are fitted and that they function faultlessly.

9. Troubleshooting

Fault	Possible cause	Remedy
The saw blade drops out.	The saw blade is not engaged correctly.	Reinsert the saw blade, taking care to ensure that the blade holder is fully open and the saw blade is pushed in against the resistance felt.
	The blade clamping mechanism is dirty.	Clean the blade holder.
The saw blade cannot be inserted.	The blade clamping mechanism is dirty.	Clean the blade holder.
The tool cannot be switched on.	The supply cord is not plugged in.	Check that the supply cord is plugged in.
	The switch is defective or dirty.	Clean the exterior of the switch with a cloth or have the switch checked by a trained electrical specialist.
The switch cannot be locked in the sustained running position (WSJ 750-ET and 850-ET)	The switch is defective or dirty.	Clean the exterior of the switch with a cloth or have the switch checked by a trained electrical specialist.
The orbital action cannot be adjusted.	The tool is dirty.	Clean and remove foreign matter from the slot for the orbital action adjustment lever.
No orbital action.	The tool is dirty.	Check the area of the orbital action fork and remove any dirt or foreign matter.
	The orbital action adjustment lever is set to the "0" position.	Set the lever to the desired position.
Speed cannot be adjusted.	The stroke rate adjustment thumbwheel is dirty or defective.	Clean the exterior of the thumbwheel or have the tool checked by a trained electrical specialist.
Speed too high or too low.	The wrong stroke rate is set.	Check the stroke rate setting (scale on the thumbwheel) and adjust it accordingly.
Dust removal with the vacuum cleaner or dust removal module doesn't work.	The dust removal hood is not fitted.	Check that the vacuum cleaner is working and that the dust removal adaptor and dust removal hood are fitted.
	The passages in the tool and / or dust removal adapter are dirty or blocked.	Clean the passages in the tool or dust removal adapter.
The baseplate cannot be pivoted.	The securing screw has not been released or the connection between the baseplate and the tool is dirty.	Check the screw and release it if necessary. Clean the area between the baseplate and the tool.
An accessory cannot be fitted (WSJ 850-ET/-EB)	The point of attachment to the baseplate is dirty or the wrong accessory is being used.	Clean the point of attachment to the baseplate and check whether a suitable accessory is being used.
The dust removal module doesn't function.	The module is not correctly attached to the tool.	Check that the module is correctly attached to the tool.
	The dust container is full.	Empty the dust container.
	The filter is dirty.	Clean the filter or fit a new dust container.
The cut is not straight.	The blade is unsuitable for the application.	Use the saw blade recommended by Hilti for the application you are carrying out.
	The blade is blunt or damaged.	Use a suitable, new saw blade.
The material being cut overheats.	Stroke rate and cutting force is too high.	Reduce the stroke rate and apply less pressure.
The material being cut overheats (metal).	Inadequate lubrication when cutting metal.	Use a new saw blade and ensure adequate lubricant is applied between the saw blade and workpiece.

10. Disposal



Most of the materials from which Hilti electric tools are manufactured can be recycled. The materials must be correctly separated before they can be recycled. In many countries, Hilti has already made arrangements for taking back your old electric tools for recycling. Please ask your Hilti customer service department or Hilti representative for further information.

en



Only for EU countries

Disposal of electric tools together with household waste is not permissible!

In observance of European Directive on waste electrical and electronic equipment and its implementation in accordance with national law, electric tools that have reached the end of their life must be collected separately and returned to an environmentally compatible recycling facility.

11. Manufacturer's warranty – tools

Please contact your local Hilti representative if you have questions about the warranty conditions.

12. EC declaration of conformity (original)

Designation:	Orbital action jig saw
Type:	WSJ 750-ET / WSJ 750-EB / WSJ 850-ET / WSJ 850-EB and WSJ-DRS
Year of design:	2003

Technical documentation filed at:
Hilti Entwicklungsgesellschaft mbH
Zulassung Elektrowerkzeuge
Hiltistrasse 6
86916 Kaufering
Deutschland

We declare, on our sole responsibility, that this product complies with the following directives and standards: until 19th April 2016: 2004/108/EC, from 20th April 2016: 2014/30/EU, 2006/42/EC, 2011/65/EU, EN 60745-1, EN 60745-2-11, EN ISO 12100.

**Hilti Corporation, Feldkircherstrasse 100,
FL-9494 Schaan**

Paolo Luccini
Head of BA
Quality and Process Management
Business Area
Electric Tools & Accessories
06/2015

Tassilo Deinzer
Executive Vice President
Business Unit
Power Tools & Accessories

06/2015



Hilti Corporation

LI-9494 Schaan

Tel.: +423 / 234 21 11

Fax: +423 / 234 29 65

www.hilti.com

Hilti = registered trademark of Hilti Corp., Schaan
Pos. 1 | 20150922



377834